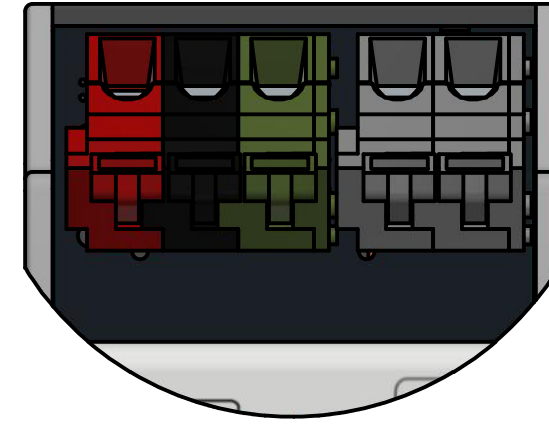
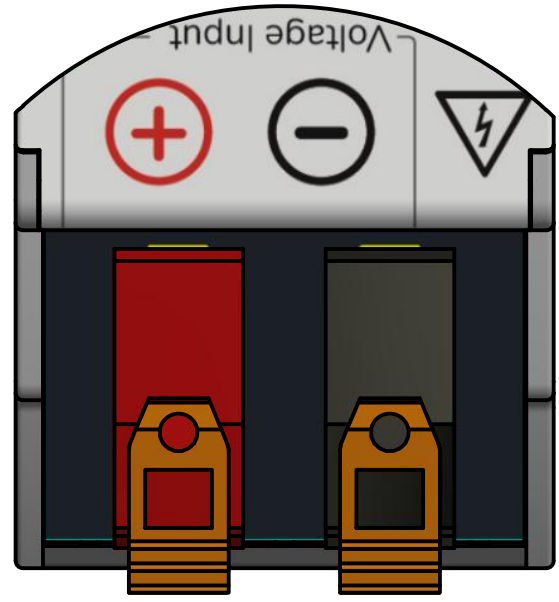
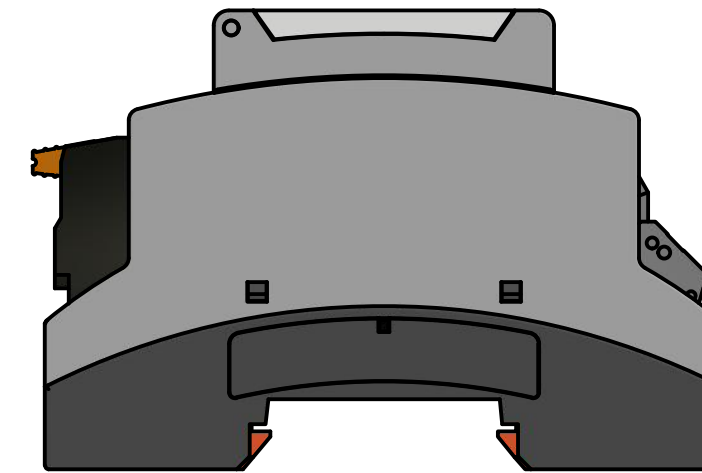
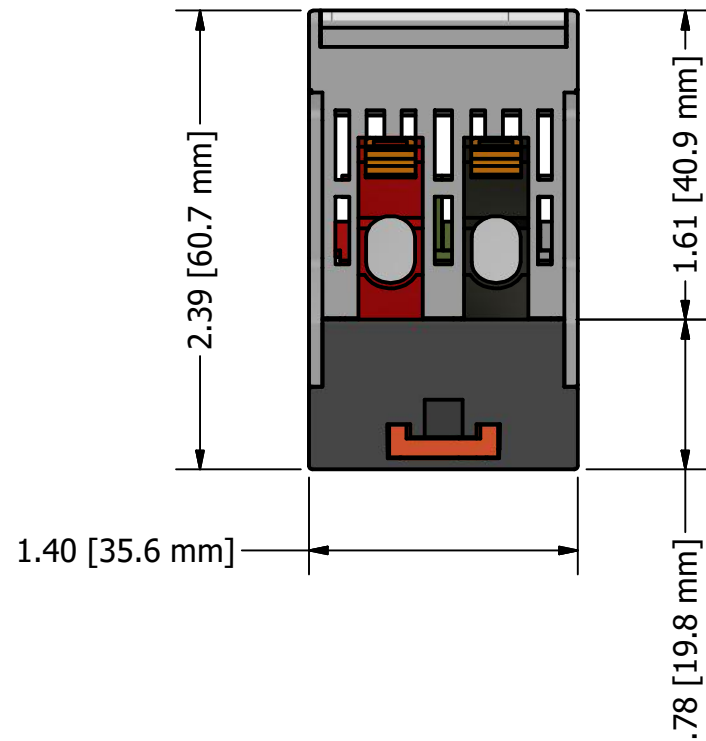
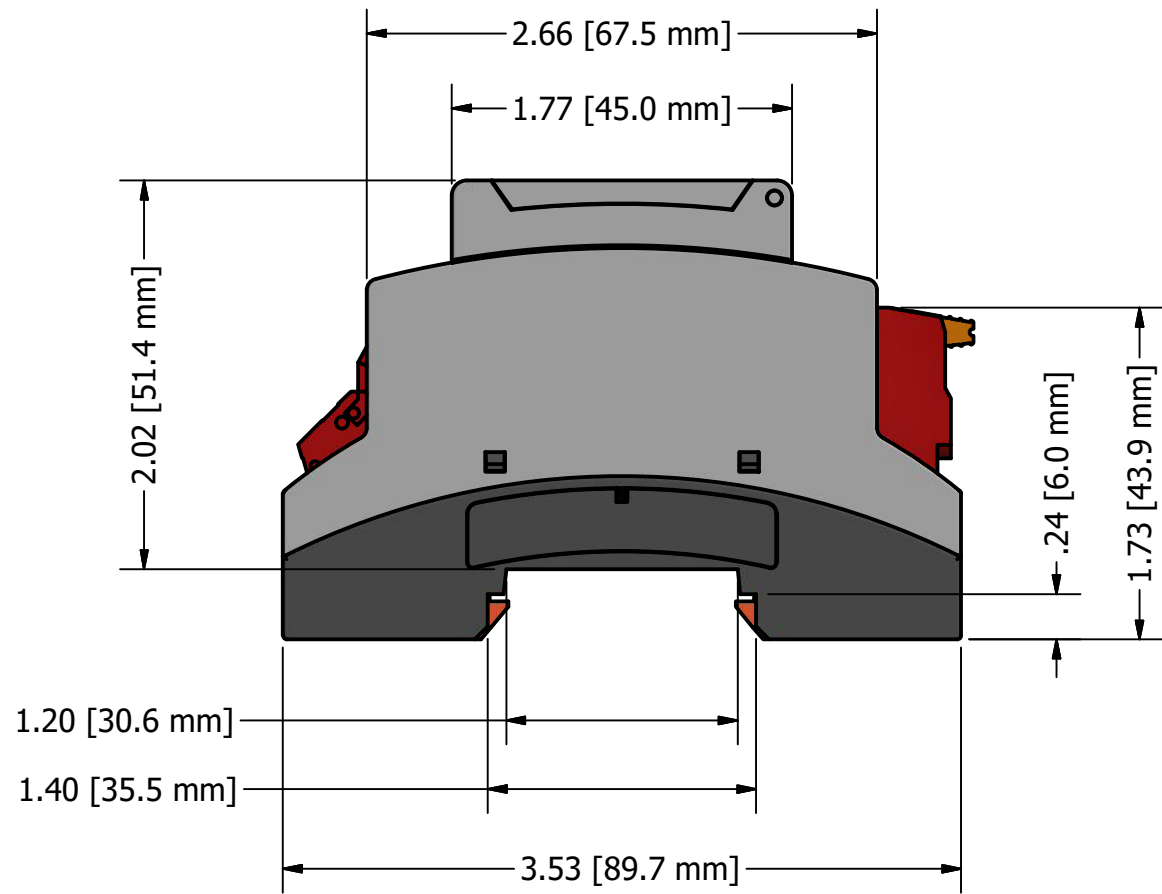
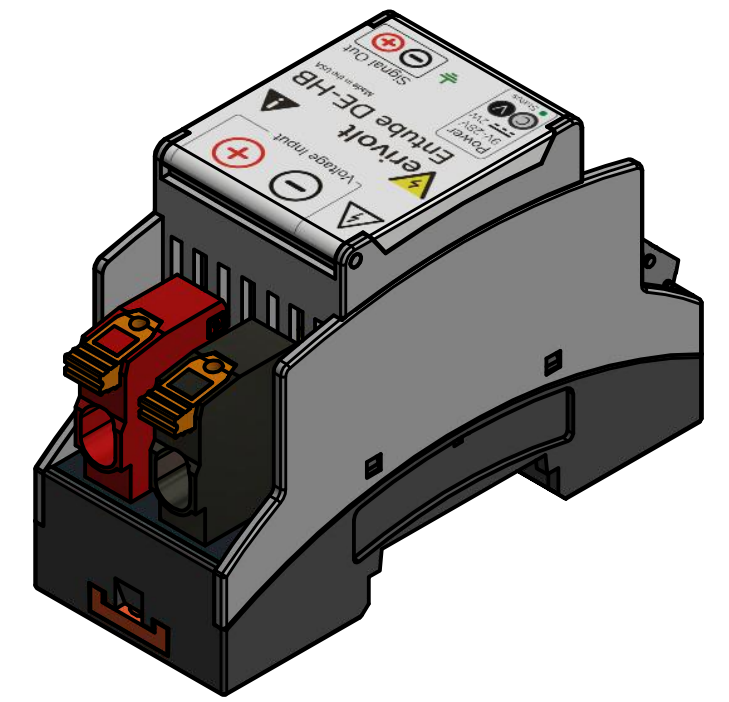


DETAIL A
SCALE 2 : 1



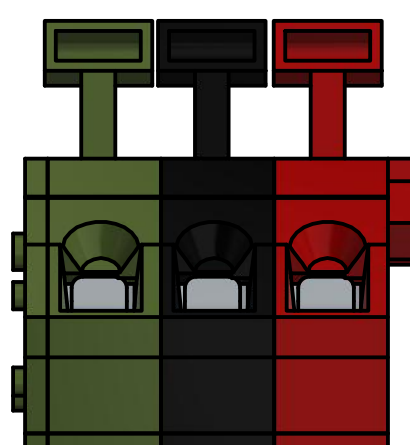
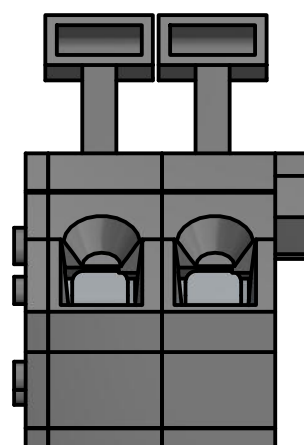
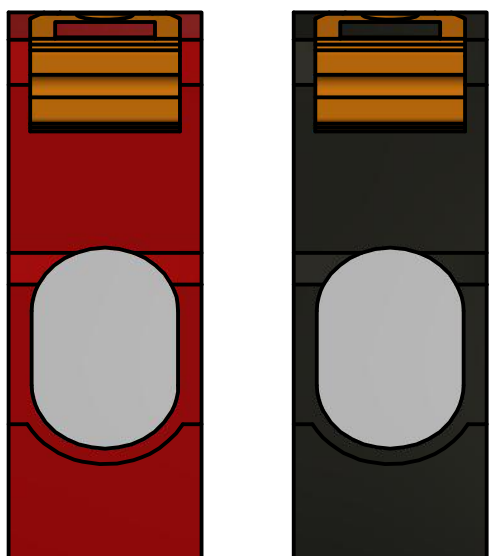
DETAIL B
SCALE 2 : 1




Conductor cross section AWG min.24
 Conductor cross section AWG max.10
 Conductor cross section min.0.2 mm²
 Conductor cross section max.6 mm²
 Stripping length 12 mm
 Rated surge voltage (III/3) 8 kV

Conductor cross section:
 28-14 AWG / 0.08-2.08 mm²
 Wire stripe length: 6-7 mm

Conductor cross section:
 28-14 AWG / 0.08-2.08 mm²
 Wire stripe length: 6-7 mm



DRAWN Sheilon	2/21/2019			
CHECKED				
QA		Entube DE-HB-S		
MFG		SIZE C	DWG NO	REV
APPROVED		SCALE	Entube DE-HB-S	
			SHEET 1 OF 1	